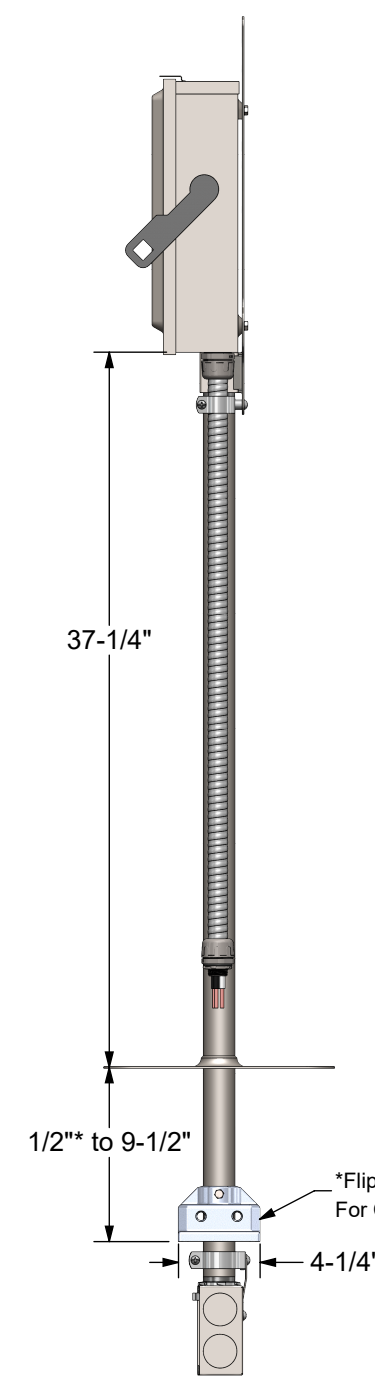
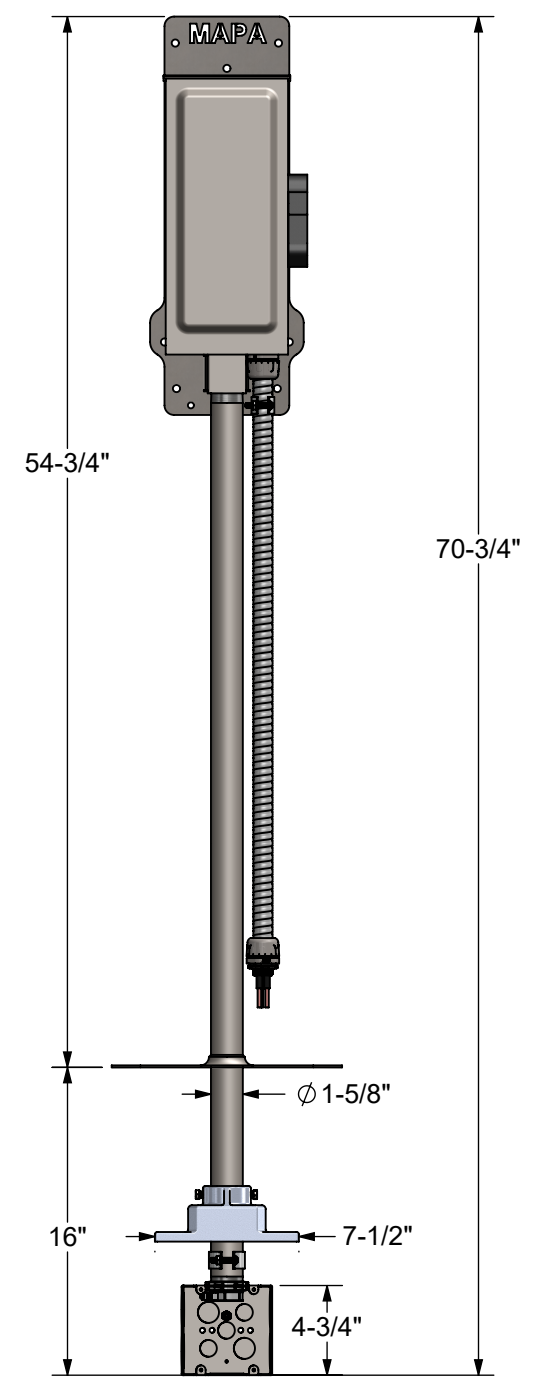
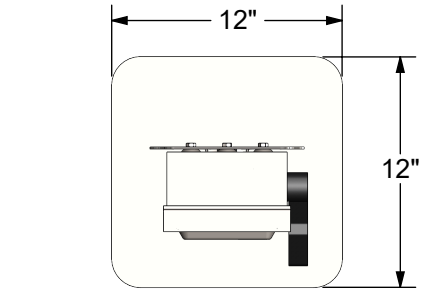


| | | |
|----------|--|-------------------------------------|
| NAME | Rooftop Electrical Pedestal - Dimensions | |
| | SCALE | 1:10 |
| FOR | MAPA Products | |
| | MATERIAL | MAPA Products, LLC NAPLES, TEXAS |
| PART NO. | MAPA | REVISION |
| | CAD NUMBER | Electrical Pedestal Assembly |
| BY | ERP | CH |
| | | EC |
| | | DATE |
| | | |

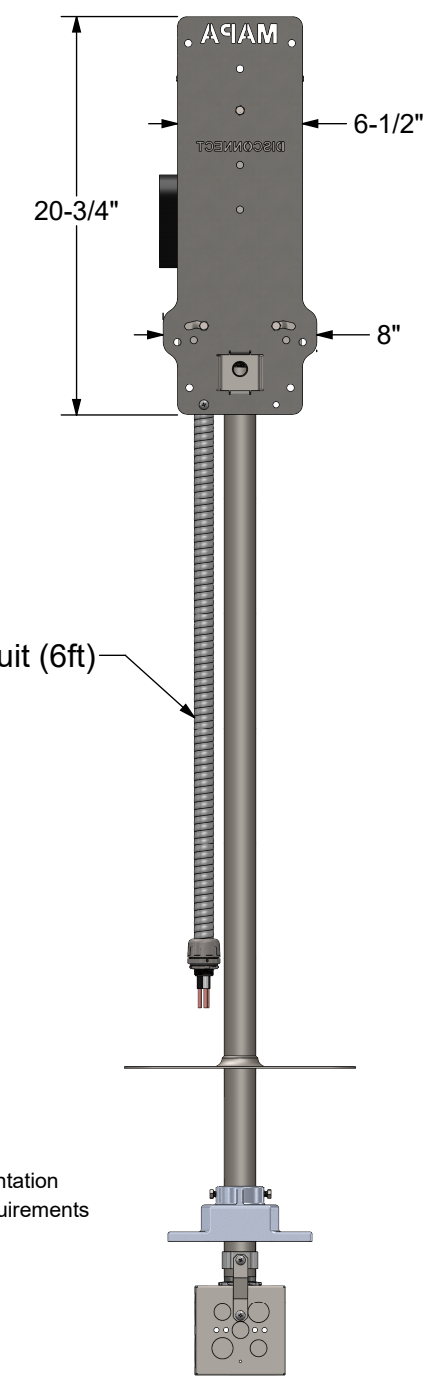
CONFIDENTIAL

THE INFORMATION CONTAINED IN THIS DRAWING IS THE SOLE PROPERTY OF MAPA PRODUCTS, LLC. ANY REPRODUCTION IN PART OR WHOLE WITHOUT THE WRITTEN PERMISSION OF MAPA PRODUCTS, LLC IS PROHIBITED.

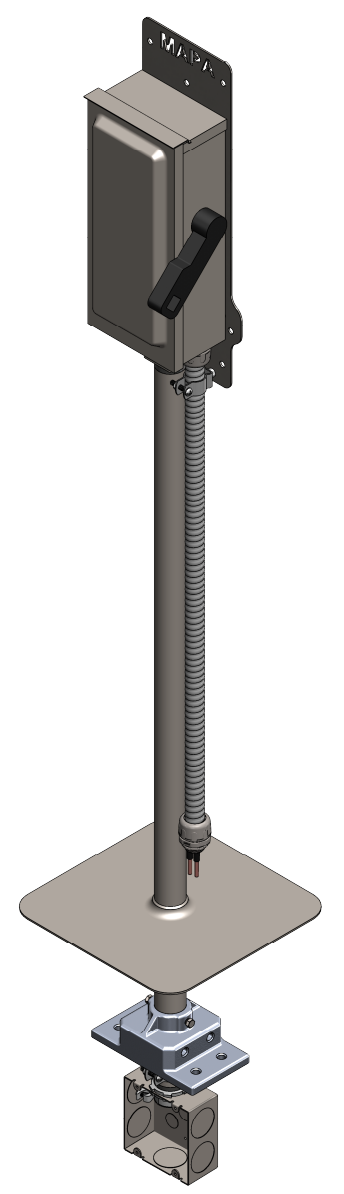
8 7 6 5 4 3 2 1



Flexible Conduit (6ft)



*Flip Underside Base Orientation For Closest Mounting Requirements



D C B A

D C B A

8 7 6 5 4 3 2 1