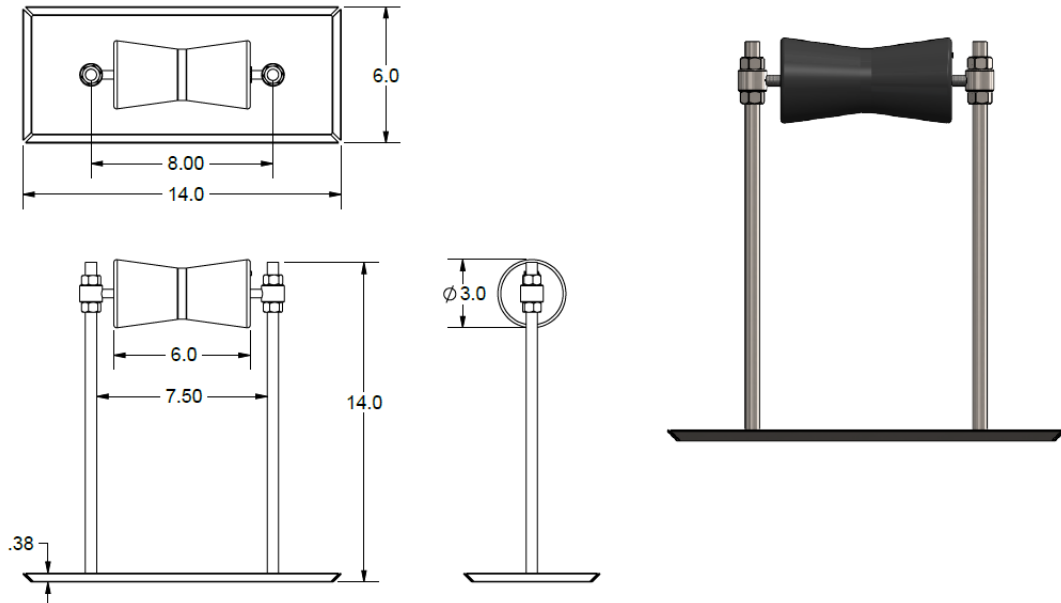




Engineering Submittal Form

CERTIFIED FOR:

Job Name:	Customer Name:
Location:	Customer P.O.:



Recommended Usage:

Use as a free standing; non-penetrating pipe support stand for all plumbing and mechanical piping systems installed on single ply or built-up roofs. For 6" IPS Pipe Size with weight load not to exceed 195lbs.

MAPA Products Supports are designed and manufactured in accordance with MSS SP-58-2002 and MSS SP-69-2002.

Refer to MAPA Products "Recommended Installation Guidelines" for standard installation and spacing recommendations.

Composition:

Roller Assembly	304 SS Collars & Shaft / SS ATR / UV Protected SBR Rubber Roller
Base	304 SS 6" X 14"
Rod Assembly	304 SS ATR
Maximum Adjustability	3" to 14"
Footprint	84 sq in.
Weight Limit	195 lbs
Typical Pipe & Size	Single 6" Sch. 40 or smaller Natural Gas

Optional Accessories:

- MWP 1018 – 9.2mm thick rubber walk pad.
- MPS-20 - 1" X 20" -Stainless steel pipe strap.

Certification Data							
Support Pad Options							
QTY	NP	P	WP	Pipe Strap	Pipe Size	Service	Notes & Options
	<input type="checkbox"/>	<input type="checkbox"/>	<input type="checkbox"/>	<input type="checkbox"/>			
	<input type="checkbox"/>	<input type="checkbox"/>	<input type="checkbox"/>	<input type="checkbox"/>			

Doc. #: M-13619