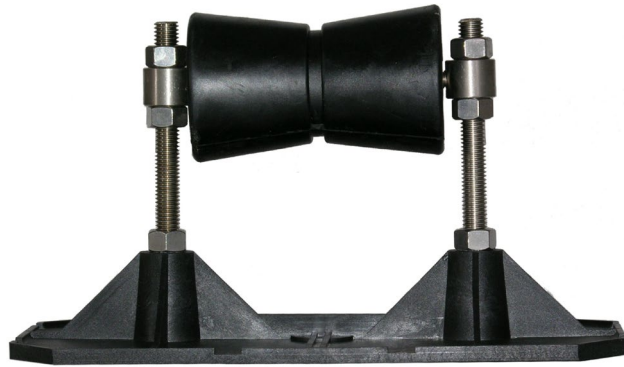
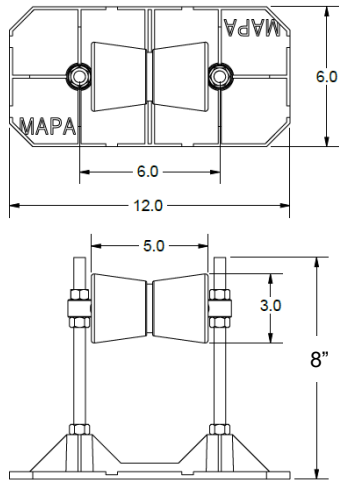




Engineering Submittal Form

CERTIFIED FOR:

Job Name:	Customer Name:
Location:	Customer P.O.:



MS-5RA8

Recommended Usage:

Use as a free standing, non-penetrating adjustable low-profile, light to medium duty pipe support for piping installed on single ply or built-up roofs. For 5" IPS Pipe Size with weight load not to exceed 216lbs.

MAPA Products Supports are designed and manufactured in accordance with MSS SP-58-2002 and MSS SP-69-2002.

Refer to MAPA Products "Recommended Installation Guidelines" for standard installation and spacing recommendations.

Composition:

- Roller Assembly 304 SS Collars & Shaft / SS ATR / UV Protected SBR Rubber Roller
- Base UV Protected Nylon 6" X 12"
- Rod Assembly 304 SS ATR
- Maximum Adjustability 3" to 8"
- Footprint 72 sq in.
- Weight Limit 216 lbs
- Typical Pipe & Size Single 5" Sch. 40 or smaller Natural Gas
- Suffix "P" Integrated 1/8" Isolation Pad

Optional Accessories:

- MWP 1016 – 9.2mm thick rubber walk pad.
- MPS-17 - 1" X 14" -Stainless steel pipe strap.

Certification Data							
Support Pad							
Options							
QTY	NP	P	WP	Pipe Strap	Pipe Size	Service	Notes & Options
	<input type="checkbox"/>	<input type="checkbox"/>	<input type="checkbox"/>	<input type="checkbox"/>			
	<input type="checkbox"/>	<input type="checkbox"/>	<input type="checkbox"/>	<input type="checkbox"/>			

Doc. #: M-13609