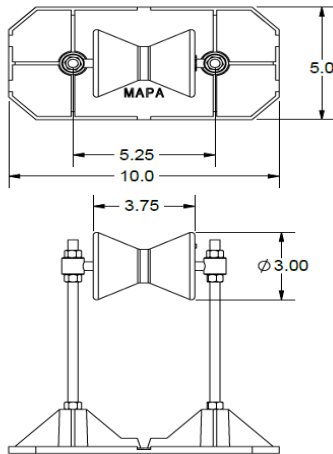




Engineering Submittal Form

CERTIFIED FOR:

| | |
|-----------|----------------|
| Job Name: | Customer Name: |
| Location: | Customer P.O.: |



MS-4RA14

Recommended Usage:

Use as a free standing, non-penetrating adjustable low-profile, light to medium duty pipe support for piping installed on single ply or built-up roofs. For 4" IPS Pipe Size with weight load not to exceed 150lbs.

MAPA Products Supports are designed and manufactured in accordance with MSS SP-58-2002 and MSS SP-69-2002.

Refer to MAPA Products "Recommended Installation Guidelines" for standard installation and spacing recommendations.

Composition:

- Roller Assembly 304 SS Collars & Shaft / SS ATR / UV Protected SBR Rubber Roller
- Base UV Protected Nylon 5" X 10"
- Rod Assembly 304 SS ATR
- Maximum Adjustability 3" to 14"
- Footprint 50 sq in.
- Weight Limit 150 lbs
- Typical Pipe & Size Single 4" Sch. 40 or smaller Natural Gas
- Suffix "P" Integrated 1/8" Isolation Pad

Optional Accessories:

- MWP 914 – 9.2mm thick rubber walk pad.
- MPS-14 - 1" X 14" -Stainless steel pipe strap.

| Certification Data | | | | | | | |
|--------------------|--------------------------|--------------------------|--------------------------|--------------------------|-----------|---------|-----------------|
| Support Pad | | | | | | | |
| Options | | | | | | | |
| QTY | NP | P | WP | Pipe Strap | Pipe Size | Service | Notes & Options |
| | <input type="checkbox"/> | <input type="checkbox"/> | <input type="checkbox"/> | <input type="checkbox"/> | | | |
| | <input type="checkbox"/> | <input type="checkbox"/> | <input type="checkbox"/> | <input type="checkbox"/> | | | |

Doc. #: M-13607