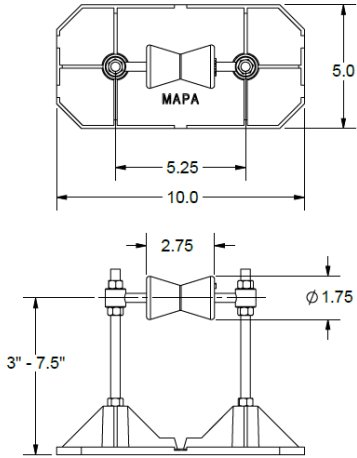




**Engineering Submittal Form**

**CERTIFIED FOR:**

Job Name:	Customer Name:
Location:	Customer P.O.:



**MS-3RA8**

**Recommended Usage:**

Use as a free standing, non-penetrating adjustable low-profile, light to medium duty pipe support for piping installed on single ply or built-up roofs. For 3" IPS Pipe Size with weight load not to exceed 150lbs.

**MAPA Products Supports are designed and manufactured in accordance with MSS SP-58-2002 and MSS SP-69-2002.**

Refer to MAPA Products "Recommended Installation Guidelines" for standard installation and spacing recommendations.

**Composition:**

Roller Assembly	Aluminum Shaft / SS ATR / UV Protected SBR Rubber Roller
Base	UV Protected Nylon 5" X 10"
Rod Assembly	304 SS ATR
Maximum Adjustability	3" to 8"
Footprint	50 sq in.
Weight Limit	150 lbs
Typical Pipe & Size	Single 3" Sch. 40 or smaller Natural Gas
Suffix "P"	Integrated 1/8" Isolation Pad

**Optional Accessories:**

- MWP 914 – 9.2mm thick rubber walk pad.
- MPS-14 - 1" X 14" -Stainless steel pipe strap.

Certification Data							
Support Pad							
Options							
QTY	NP	P	WP	Pipe Strap	Pipe Size	Service	Notes & Options
	<input type="checkbox"/>	<input type="checkbox"/>	<input type="checkbox"/>	<input type="checkbox"/>			
	<input type="checkbox"/>	<input type="checkbox"/>	<input type="checkbox"/>	<input type="checkbox"/>			

Doc. #: M-13603