

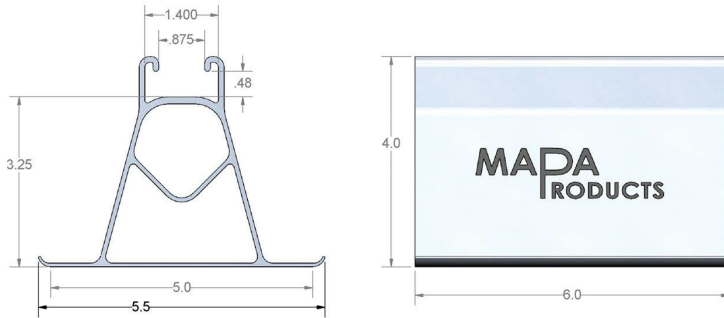
Engineering Submittal Form – MA-8SF4

CERTIFIED FOR:

| | |
|-----------|----------------|
| Job Name: | Customer Name: |
| Location: | Customer P.O.: |

Recommended Usage:

Use as a free standing; non-penetrating support stand for Single or Multiple runs of piping, conduit, duct, refrigeration lines, solar panels, cable trays and equipment supports. Accepts industry standard accessories.



Standard Composition: Extruded Aluminum with integrated 1 5/8" shallow strut, Solid flat base with rolled edges. Available lengths pre-cut up to 10'. 100% recyclable material. Made in USA.

MAPA Products Supports are designed and manufactured in accordance with MSS SP-58-2002 and MSS SP-69-2002.

Refer to MAPA Products "Recommended Installation Guidelines" for standard installation and spacing recommendations.

Composition:

Extruded Aluminum w/ Integrated 1 5/8" shallow strut
 Strut Length 8"
 Base Dimensions 5" X 8"
 Footprint 40 sq in.
 Load Factor 5 PSI

Optional Accessories:

- Add Suffix "P" Standard pad.
- MWP1010- 9.2mm thick rubber walk pad
- Snap-N-Strut Clamps (Refer to SNS selection chart for sizing)

Certification Data

| Support Pad Options | | | | | | | |
|---------------------|--------------------------|--------------------------|--------------------------|---------------|-----------|---------|-----------------|
| QTY | NP | P | WP | SNS Selection | Pipe Size | Service | Notes & Options |
| | <input type="checkbox"/> | <input type="checkbox"/> | <input type="checkbox"/> | | | | |
| | <input type="checkbox"/> | <input type="checkbox"/> | <input type="checkbox"/> | | | | |
| | <input type="checkbox"/> | <input type="checkbox"/> | <input type="checkbox"/> | | | | |
| | <input type="checkbox"/> | <input type="checkbox"/> | <input type="checkbox"/> | | | | |
| | <input type="checkbox"/> | <input type="checkbox"/> | <input type="checkbox"/> | | | | |

| | | | | | | | |
|--------------|--|--|--|----------------|--|-------------|------------------------|
| DRAWN | | | | CHECKED | | DATE | DWG.NO. |
| | | | | | | | |
| | | | | | | | Doc. #: M-13802 |